

Loop Feed With Enhanced Performance

by Rastislav Galuscak – OM6AA⁽¹⁾, Pavel Hazdra⁽¹⁾

⁽¹⁾CTU Prague, FEE, Dept. of Electromagnetic Field, Technicka 2, 166 27, Prague, Czech Republic
E-mail: om6aa@yahoo.com, hazdrap@fel.cvut.cz

Introduction

Loop feeds are very often used as primary feeds in electrically small parabolic dish antennas. A loop feed configuration for 70 cm was published by Luis Cupido – CT1DMK [1]. A version for 23 cm was published by Guenter Koellner –DL4MEA [2]. These two versions also differ with respect to reflector size. The Cupido version utilizes a 1λ diameter reflector, while the Koellner version utilizes a smaller, approximately $\lambda/2$, diameter reflector. The objective of this article is to identify and discuss some of the inherent problems with electrically small, deep, parabolic dish reflector antennas configured with prime-focus feeds and to describe the design of a loop feed suitable for these antennas. The main advantage of a loop feed is improved dish antenna efficiency in a very simple mechanical configuration.

1. Efficiency of electrically small parabolic dish reflector antennas

The efficiency of electrically small parabolic dish antennas is substantially degraded by various size-specific factors, among them, the large size of the feed in comparison to a relatively small reflector. For example, consider various diameter dish antennas having the same primary feed consisting of a simple waveguide with diameter 0.65λ . An antenna with a reflector diameter of 20λ has a feed-to-dish diameter ratio of .0325 while a smaller antenna with reflector diameter of 4λ has a larger, 0.1625 ratio. Furthermore, it is usually not possible to substantially reduce the feed's size. Some negative factors affecting the efficiency of small dish antennas are described by Paul Wade-W1GHZ [3].

The dominant factors affecting small dish antenna performance are:

a. Blockage of the dish reflector by its prime-focus configured feed

The gain of a parabolic dish antenna with prime-focus feed is given by:

$$G = 10 \log [\pi^2 (D^2 - d^2) / \lambda^2] * \eta \quad (\text{dBi}) \quad (1)$$

where D is the reflector diameter, d is the feed diameter, λ is the wavelength and η is total efficiency. From (1) it is apparent that feed dimensions may significantly downgrade antenna

efficiency due to reflector blockage. A graphical depiction of this is shown in Fig. 1 and indicates that the feed diameter, d , should be as small as possible.

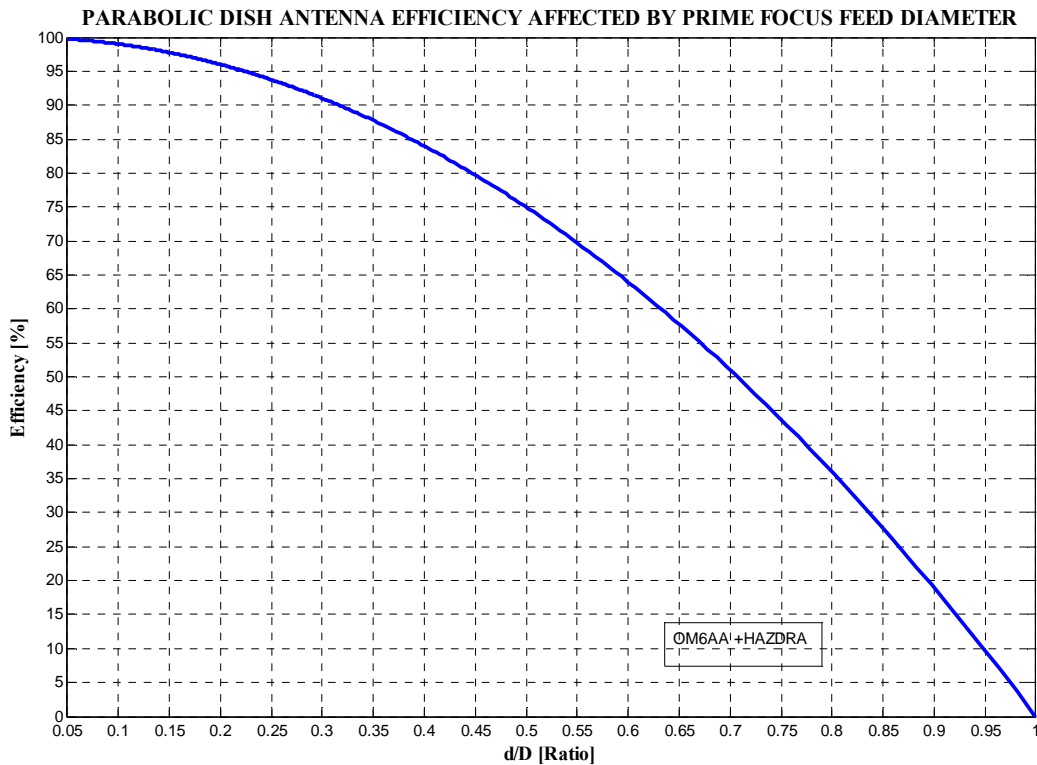


Fig. 1 Effect of feed blockage on a uniformly illuminated antenna

b. Properties of the electromagnetic field emanating from the feed and its deviation from a spherical wave

According to Huygen's Principle, the field at a point is the superposition of the spherical wavelets originating from a surface located between the observation point and the source. This means that the feed aperture appears as multiple point-sources of spherical waves with specific magnitudes and phase. See Fig. 2. This phenomenon is the cause of some divergent rays being reflected by the dish which are associated with deterioration in efficiency. For a given, fixed feed size, this efficiency degradation is continuously proportional to dish reflector size with a larger dish being less affected. Taking this into account, it requires that the feed be a good point-source of spherical waves. Application of Huygen's Principle to an actual feed helps to clarify this. See Fig. 3, which depicts the propagation of an electric field within a corrugated horn antenna, commonly used as a primary feed. More information on Huygen's Principle can be found in our reference [4].

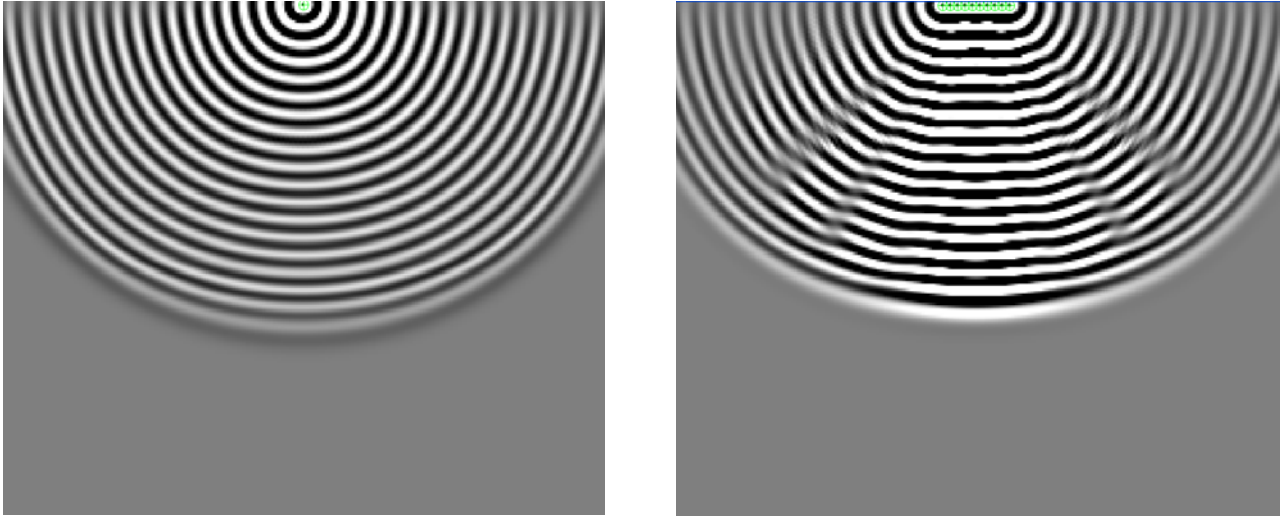


Fig. 2 Wave source visualization -- Point source (left), multipoint source (right)

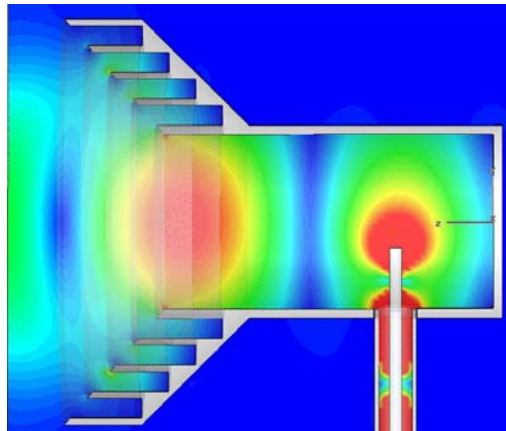


Fig. 3 Near electric field (time snapshot) of a corrugated horn antenna

c. Diffraction originating from the feed and struts

Diffraction effects originate when propagating electromagnetic waves interact with obstacles in their path, such as the feed and struts. See Fig. 4. Other sources of diffraction generated interference are the rim of the dish reflector and “overshadowed sites,” which are locations defined by the projection of the feed and struts onto the dish surface. Diffraction introduces additional losses, mainly due to the disturbance of field homogeneity and field distribution above the reflector’s surface. Most modern mathematical wave modeling software operates according to the Geometrical Theory of Diffraction published by Keller [5].

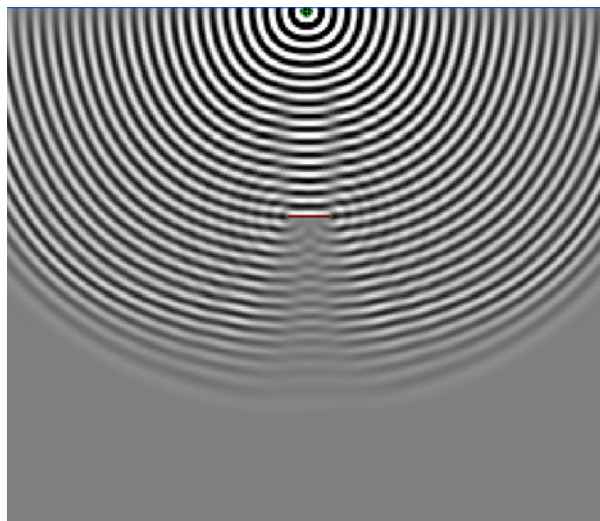


Fig. 4 Diffraction effect visualization

d. Main beam interference due to back lobe and secondary generated fields

The requirement for small physical feed dimensions, suggested in the previous sections, conflicts with requirements for low backward radiation from the prime-focus feed. Herein arises a problem in eliminating unwanted radiation using an electrically small structure since smaller feeds typically exhibit a large back lobe radiation component. This unwanted radiation interferes with desirable radiation reflected from the dish and subsequently deforms the overall radiation pattern and downgrades the efficiency.

Examples of measured E- and H-plane radiation patterns of Fig. 5’s plane circular waveguide with inner diameter 0.65λ and length 1λ are shown in Figs. 6. The waveguide is excited by a $\lambda/4$ probe. This simple structure is often used in conjunction with smaller and deeper dishes.

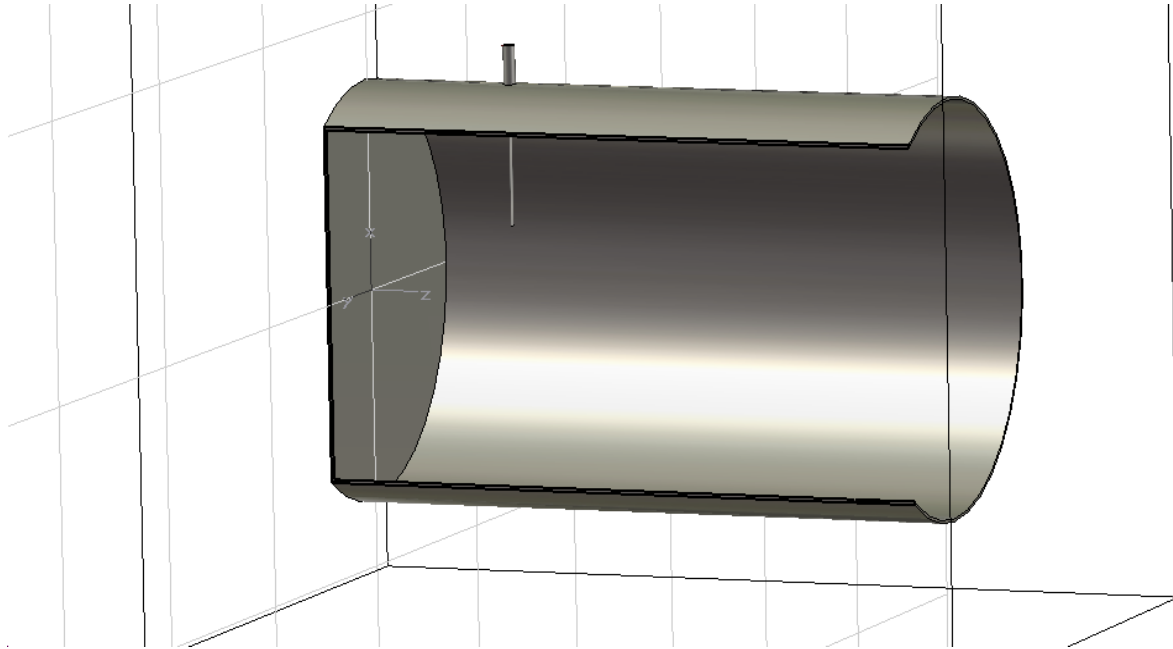


Fig. 5 Plane circular waveguide feed

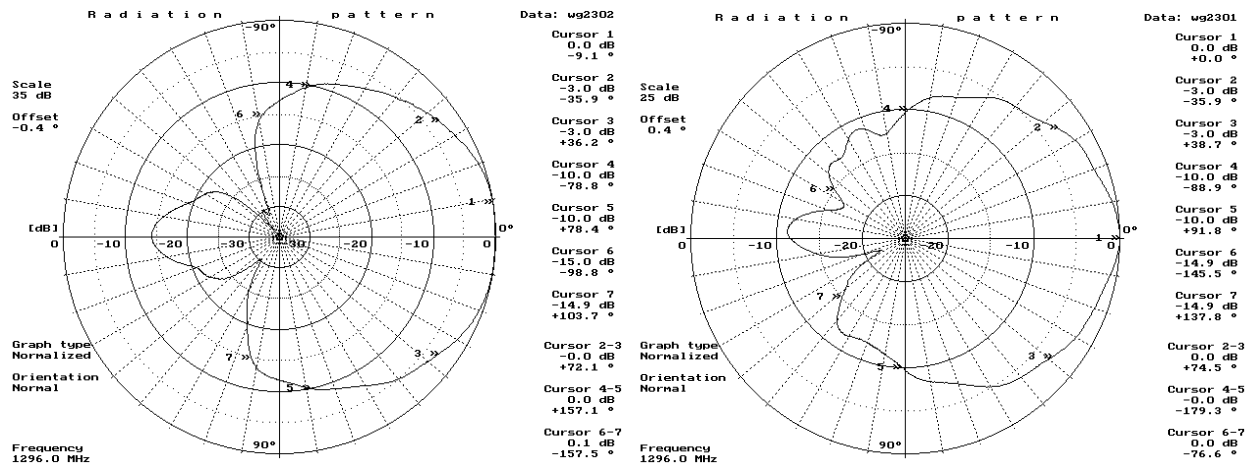


Fig. 6 Radiation pattern of plane circular waveguide feed, 0.65λ -- Measured E-plane (left) and H-plane (right)

The radiation pattern in Fig. 6 shows that the back lobe is suppressed by only 12 dB. The backward radiation of this feed may be further suppressed by adding a choke at the open end of the waveguide, but the tradeoff for this is a narrowed radiation pattern and increased dish blockage.

Consider the near field of a dish antenna fed by an ideal point source at its focus as shown in Fig.7. Here, the electric field at the dish reflector's focus and immediate vicinity is non-homogeneous and has a relatively high intensity. This field generates parasitic surface currents on the feed body, which subsequently generate an unwanted field. The unwanted field has random polarization and interferes with the field reflected from the parabolic reflector. The result is reduced efficiency. There are several ways to eliminate the amount of induced radiation: reduce the feed's size, cover the feed with an electromagnetic absorbing material or provide a corrugated feed surface so that high frequency surface currents are not easily conducted.

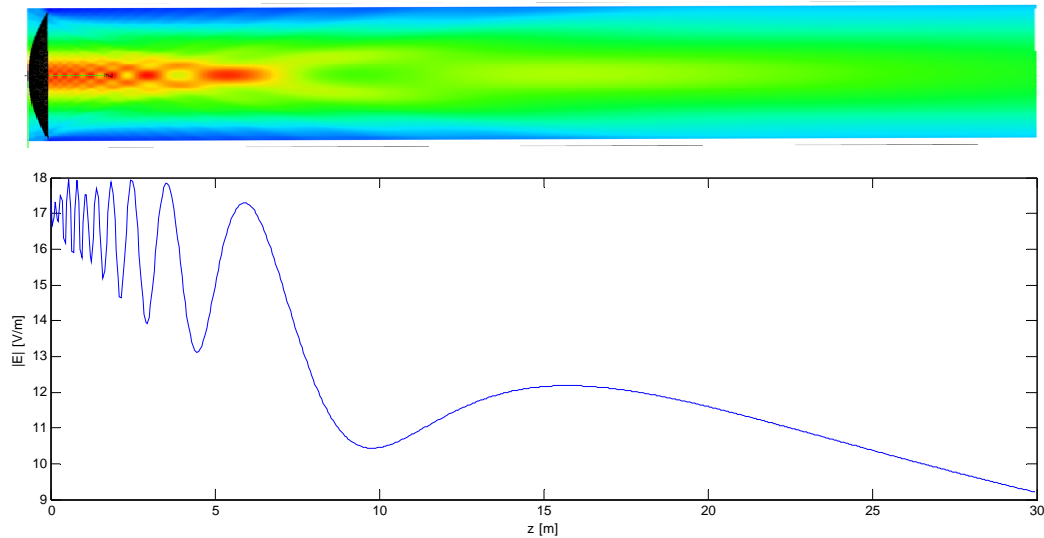


Fig. 7 Near E-field of an antenna with reflector diameter $D=3$ m and $f/D=0.28$. The dish is illuminated by a somewhat collimated point source ($f_0 = 1296$ MHz) at its focus. The “farfield” slope of the E-field starts ~ 15 m in front of the aperture.

e. Impedance match

In small dish configurations, the feed is usually located very close to the reflector. The small distance between feed and dish has an influence on the feed's impedance parameters and may contribute to the generation of a standing wave, especially with feeds employing waveguides. Installing the feed onto a dish may have a positive or negative affect on feed impedance match depending on the feed's specific design, dish reflector size and frequency.

Documentation of square cross section septum feed S-parameter dependence on the distance from a conductive plate has been published [6]. The study for an antenna assembly consisting of the feed displayed in Fig. 5 and the 5λ diameter dish reflector (f/D ratio 0.35) shown in Fig. 8 is plotted in Fig. 9. Waveguide excitation with the feed's base mode TE₁₁ was used.

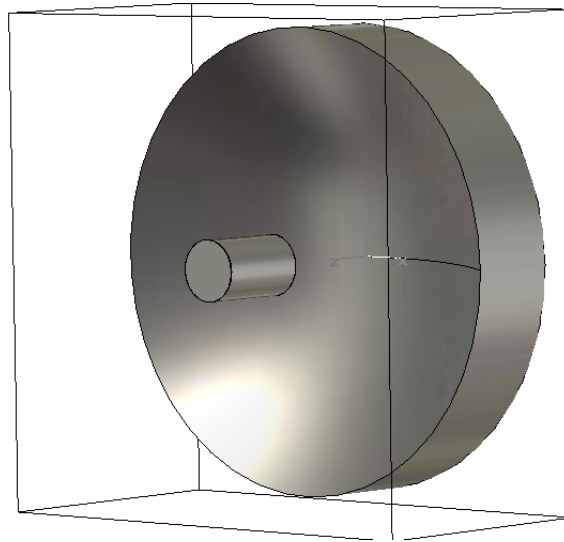


Fig. 8 5λ diameter antenna assembly

Simulation was performed using CST MW studio software [7]. To avoid potential problems with impedance matching and changes in the radiation pattern, a model of the entire antenna assembly, consisting of the dish and prime-focus feed, should be optimized.

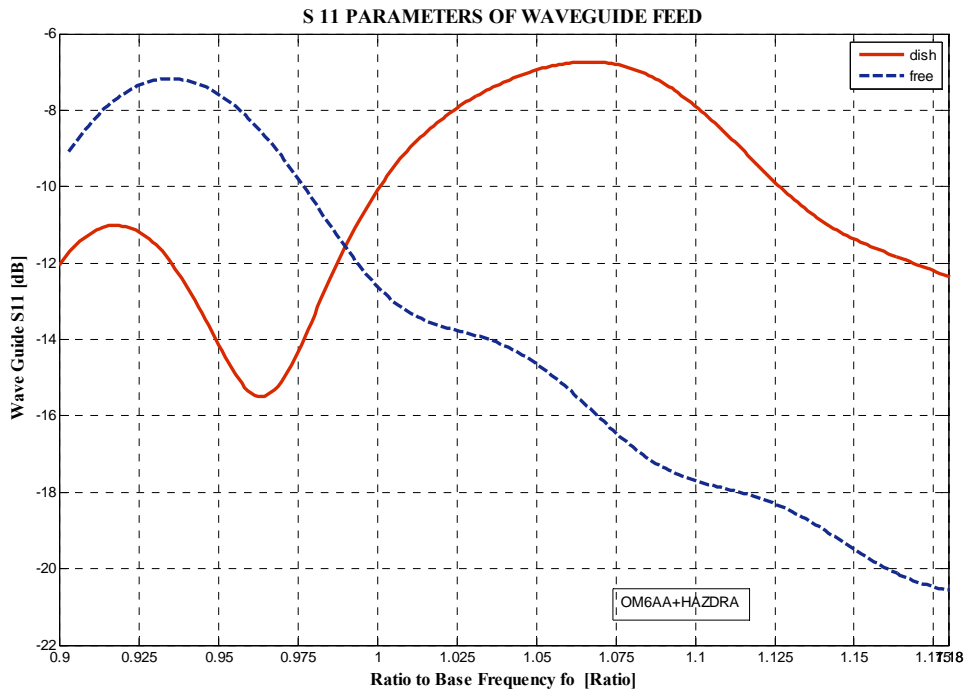


Fig. 9 Feed S11 parameter variations

2. Feed Design

A Loop Feed consists of one or more 1λ long radiators usually coiled into circular shapes, a reflector and signal feed lines. A dual band feed configuration is shown in Fig. 10.

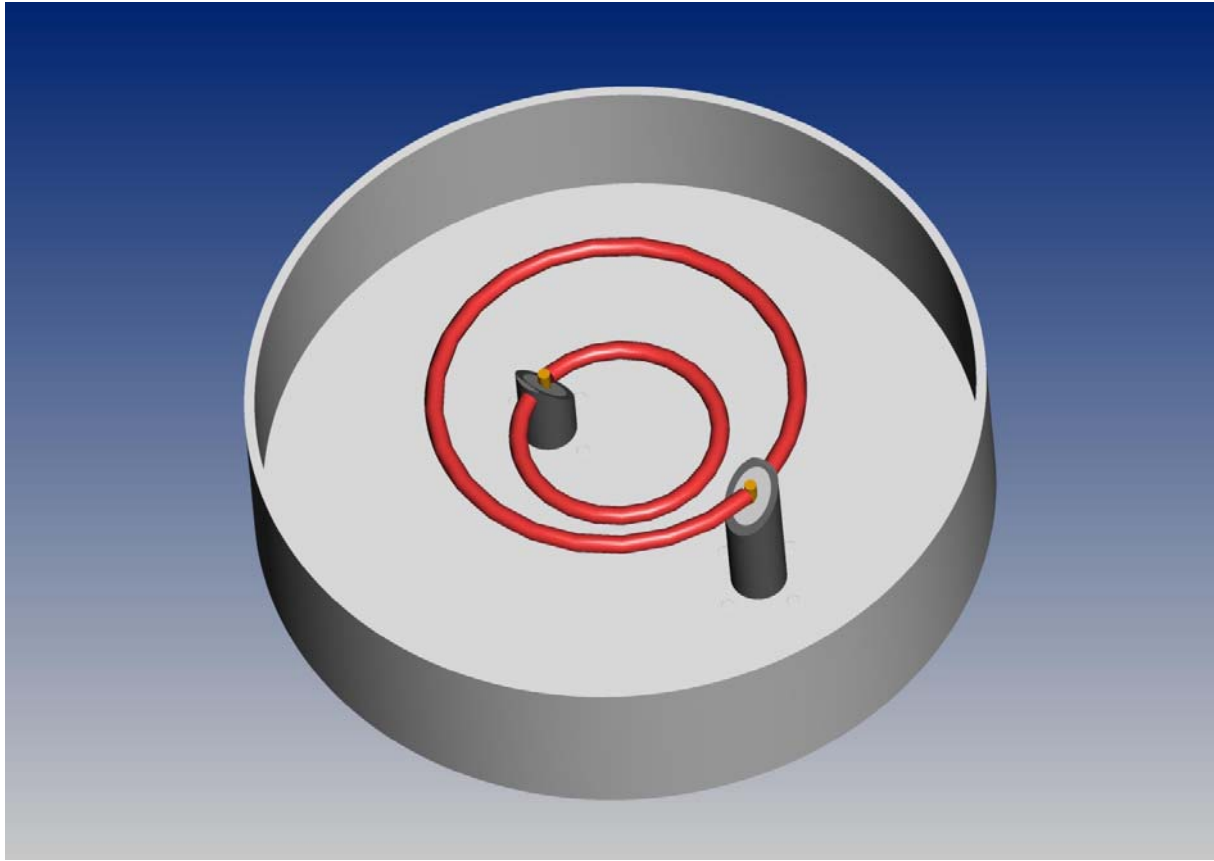


Fig. 10 - Dual band Loop Feed

Using CST MW Studio software to investigate the loop radiation, we found that the distance between the loop radiator and its reflector not only affects the radiation pattern, but mainly the feed impedance. The loop reflector's dimensions affect the symmetry of the radiation pattern and amount of back lobe suppression. The calculated results for various loop reflector parameters are shown in Tab. 1.

Reflector Size	Main Beam	Back Lobe	Angle for 10 dB		Angle for 3dB	
			E	H	E	H
D	dB <i>i</i>	dB	[°]	[°]	[°]	[°]
$\lambda / 2$	8,20	5,8	113,2	144	65,3	79,7
$3/4 \lambda$	8,9	13,7	112	140	64	75
1λ	9,4	17,1	107,4	128,6	60	70
$0,606 \lambda$ with Choke	8,2	17,4	133,2	143	74,4	78,8

Tab. 1 Radiation pattern charecteristics

From these results it is evident that a larger loop reflector reduces backward radiation and improves the radiation pattern's symmetry. The tradeoff for this is increased dish blockage. To mitigate this we increased the electrical size of the loop reflector by adding a collar ring around the reflector's perimeter. This improved the feed's performance without increasing dish blockage.

The subsequent optimization of the feed was performed using CST MW Studio's Time Domain Solver. The variables were loop diameter, the loop's distance from its reflector, loop reflector diameter and collar ring height. Items of interest were the shape of the main beam, back lobe suppression and S_{11} (impedance match). The optimization intent was to achieve the best performance for the most frequently used dishes, those with an f/D ratio close to 0.4. When one band was optimized, we added a second loop to achieve dual band performance. The effect of the added loop on the radiation pattern of the base band was negligible.

To study the behaviour of a 6.5λ diameter dish reflector with feed, the entire antenna assembly was modeled. Further optimizations focused on the resulting radiation pattern and S_{11} parameter. Changes were made by using FEKO software [8] and applying the MLFMM method. Since this is a relatively large structure for computation, a simplified model without the coaxial feed lines was calculated. For the loop drive, we used a very simple symmetrical method employing a sloping coaxial line which caused some doubt about pattern deformation. Later however, we discovered that this simplification did not have a significant effect on the feed's performance.

3. Mechanical Design

The feed's base mechanical component is a structurally rugged cup-shaped reflector which was machined from Aluminum alloy EN AW 5083 (H111) cylindrical stock. A short, silver plated, machined brass coaxial stud with a flange at one end mounts on the reflector such that the stud extends into the cup of the reflector through a mounting hole in the reflector's flat surface. The flange end of the coaxial stud mates with the flange end of a 1/2" N-style female flange jack (mini 4-hole flange w/post terminal) and these are affixed to the outside flat surface of the reflector cup by four screws that pass through the flange jack, coaxial stud flange, and reflector. A circular, self-supporting loop radiator is installed within the cup area of the reflector by soldering it to the coaxial stud with lead-free soldering alloy, SnAg5. For greater mechanical stability or for the 70 cm version, a TEFLON™ strut placed opposite to the coaxial stud can be added. The loop radiator is made of UT-141 semi-rigid coaxial cable which was formed using a bending jig. Mechanical detail drawings of the loop feed assembly are located in the Appendix.

4. Actual Measured Performance

The dual band Loop Feed's performance was tested in an anechoic chamber at ERA Pardubice Company, Czech Republic [9]. See Fig. 18. Radiation patterns for both bands and E- and H-planes were observed. Both the measured and calculated data are shown in Fig's 11 and 12 for comparison.

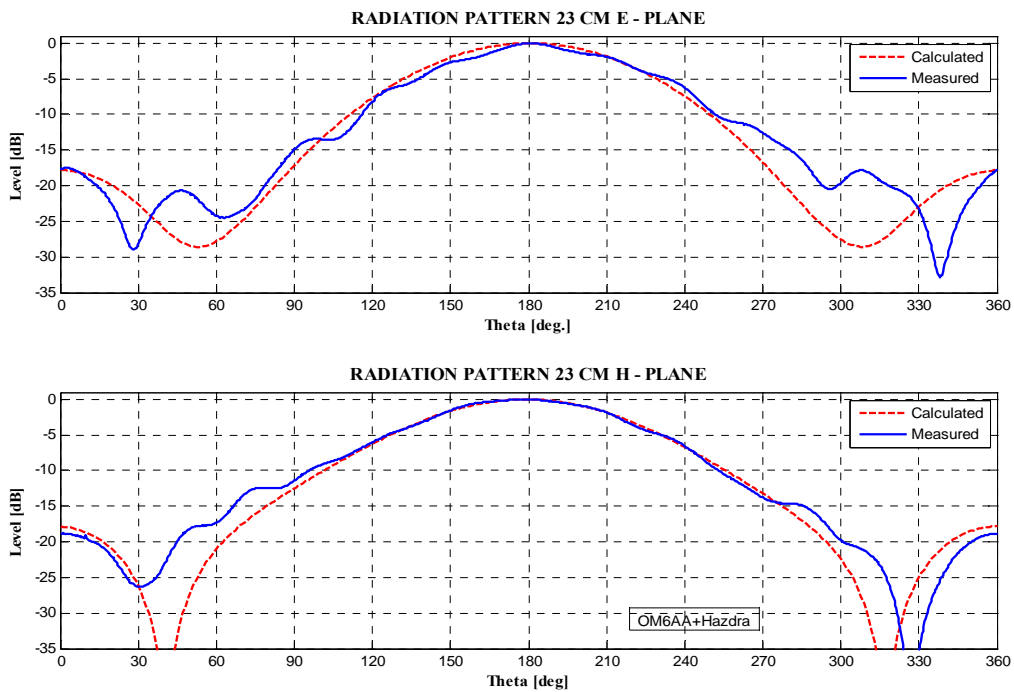


Fig. 11 Radiation Pattern - 23 cm

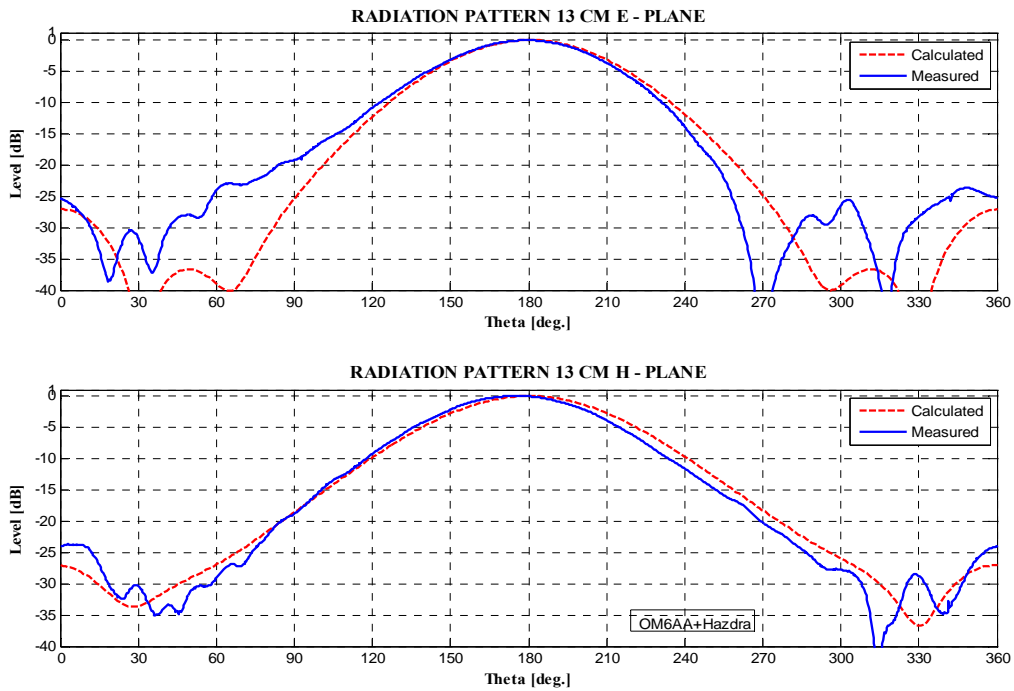


Fig. 12 Radiation Pattern - 13 cm

Good agreement between calculated and measured values was achieved. Observed differences present in the side lobes are attributed to model simplification since it was calculated without the coaxial feed stud. Despite this, axial symmetry for both bands and both planes remained very good. Calculated antenna efficiency for a 1.5 m diameter parabolic dish configuration is plotted in Fig.13.

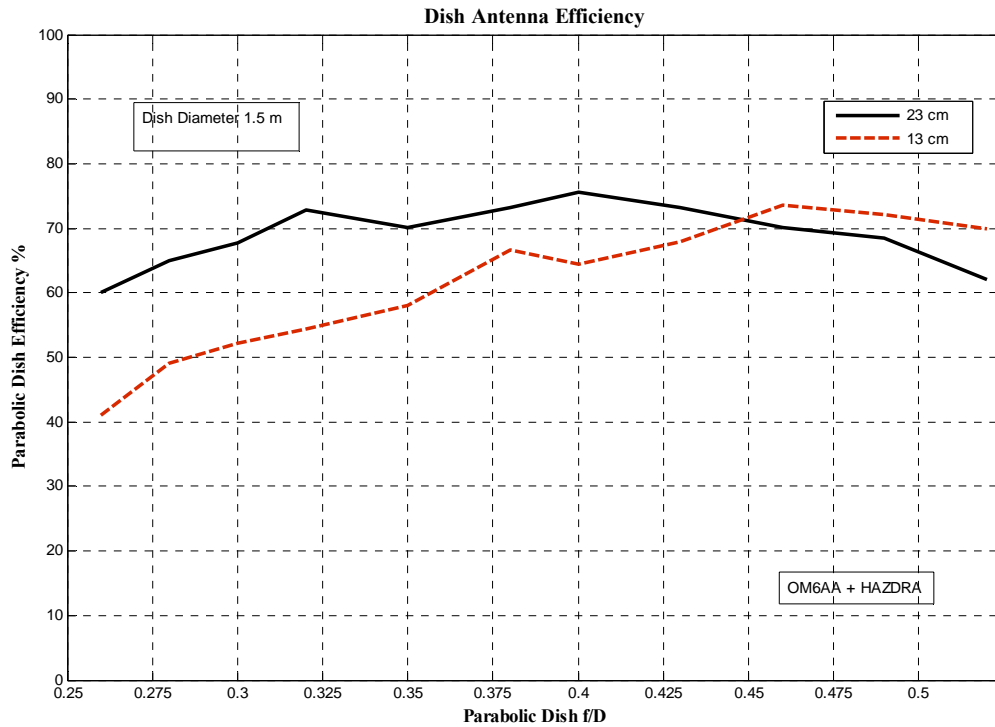


Fig. 13 Dish Antenna Efficiency

FEKO software was used to calculate the efficiency of both bands with the feed optimally positioned for the 23 cm band. Very good efficiency on the 23 cm band within a wide f/D dish ratio was achieved. Optimum performance on 13 cm was obtained with shallow dishes. The best dual band performance was obtained with dishes having an f/D ratio of 0.45.

Impedance match (S_{11} , S_{22}) for free space are shown in Fig's 14 and 15. Isolation (S_{21}) between loops for free space is 17.4 dB at 1296 MHz and 15.7 dB at 2320 MHz. An Agilent Technologies N1996A spectrum analyzer was used for these measurements.

Impedance and isolation have also been measured for an antenna assembly with a dual band loop feed located at the focus of a 1.4 m dish antenna with an f/D ratio of 0.5. Improvement of impedance match on the 23 cm band for this configuration was measured. See Fig's 16 and 17. Only small changes in isolation between loops were observed, 19 dB at 1296 MHz and 15.8 dB at 2320 MHz.

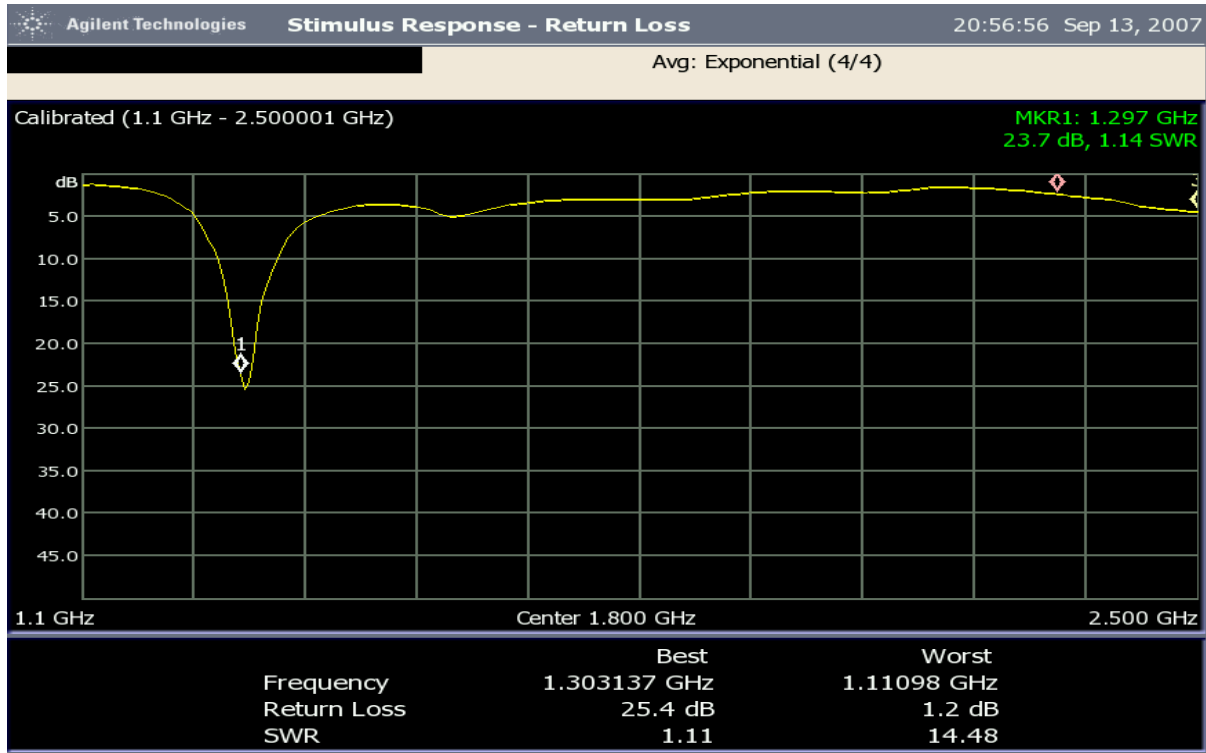


Fig. 14 Return loss for free space - 1297 MHz



Fig. 15 Return loss for free space - 2318 MHz: 27.4dB (Marker 2)

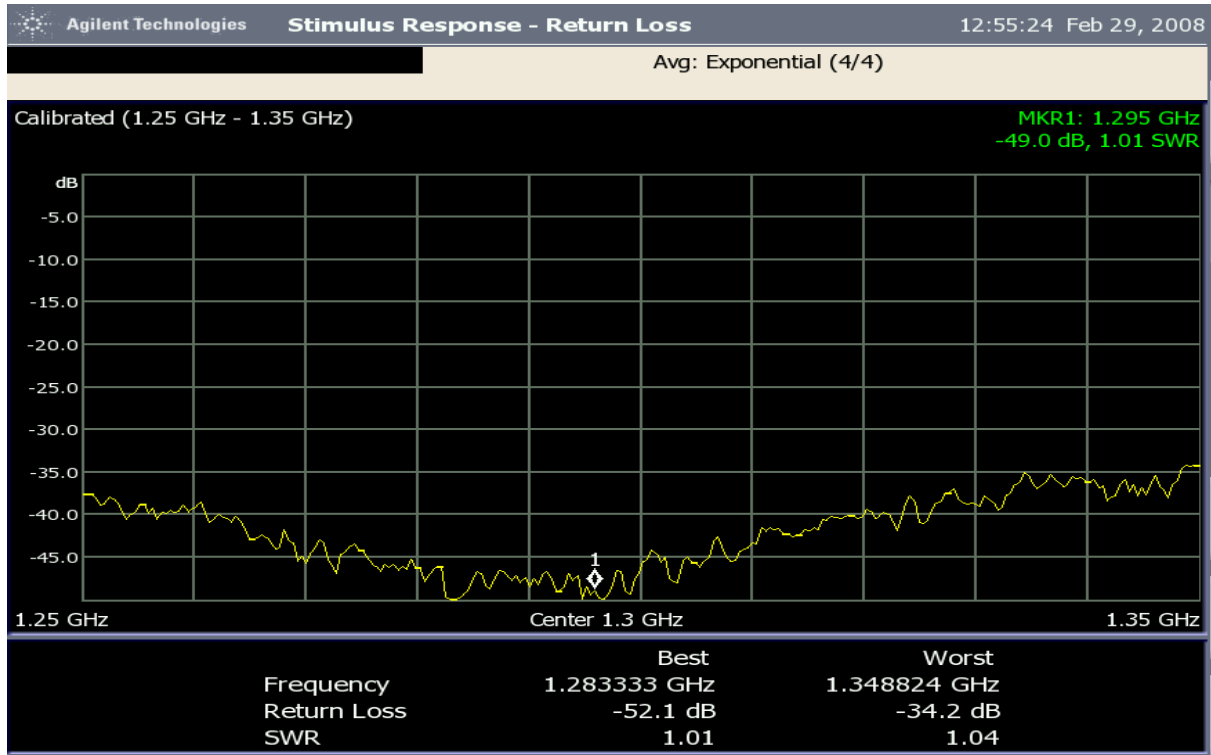


Fig. 16 Return loss in dish - 1295 MHz

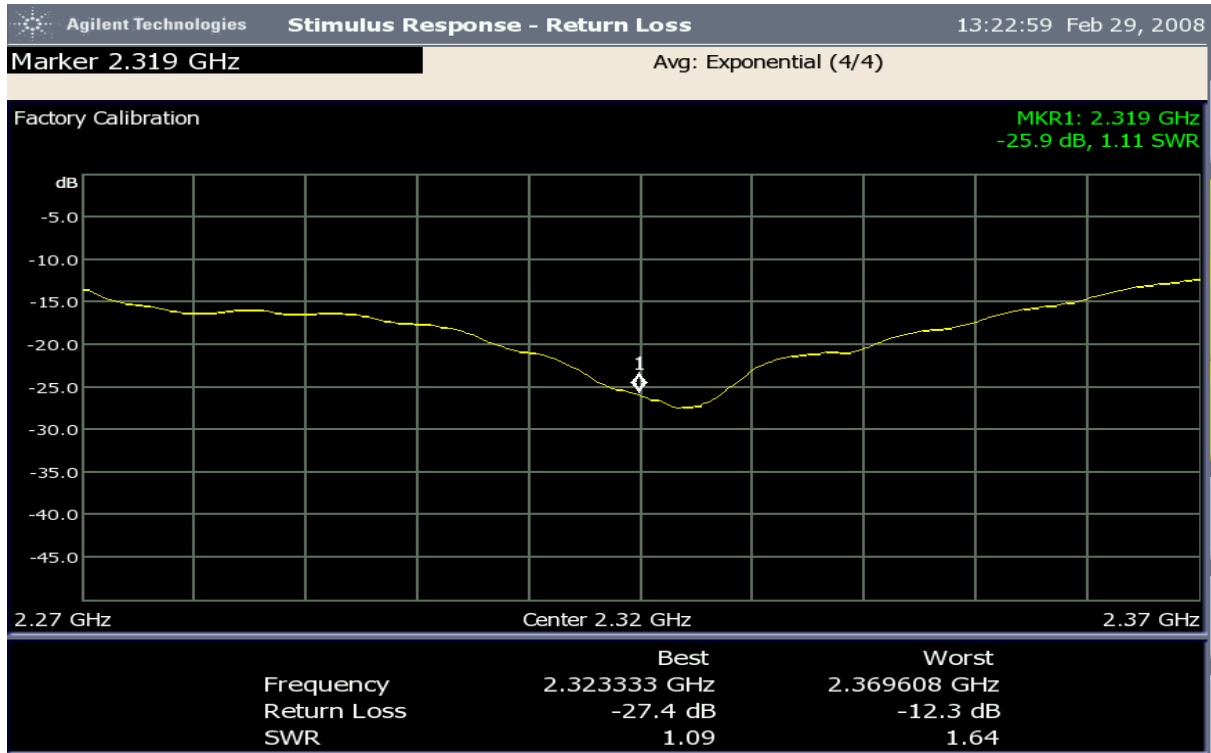


Fig. 17 Return loss in dish - 2319 MHz

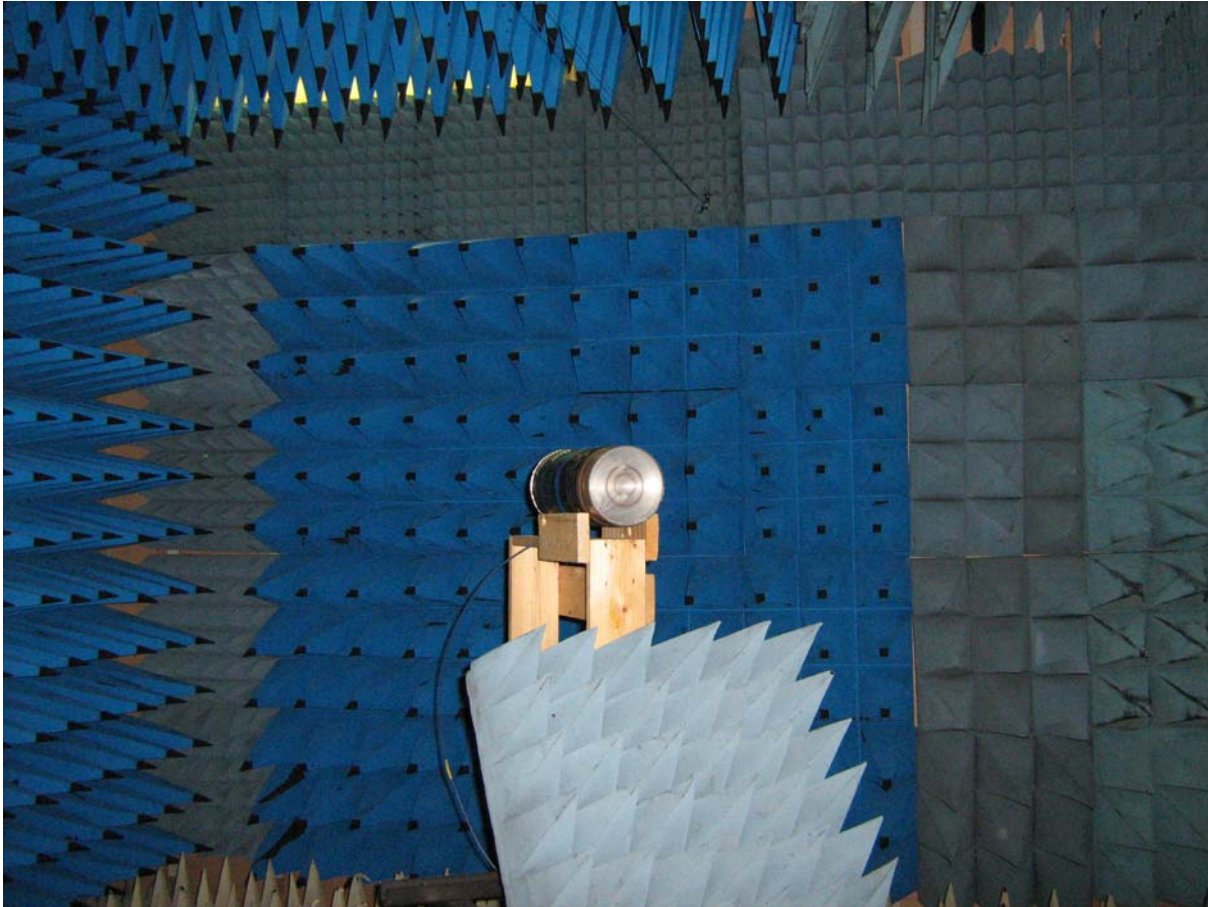


Fig. 18 Loop Feed in anechoic chamber at ERA Pardubice

5. Field tests

We gained valuable practical experience operating and testing the dual-band feed in the field during two radio contests. The first was participation in the IARU Region 1 UHF/SHF contest in 2007 by radio club OM50KHE. The antenna was configured with a 1.7 m diameter dish having an f/D ratio of 0.4 and the loop feed, mechanically adapted for actual antenna use, built into a rugged, cylindrical stainless steel enclosure. See Fig's 19 and 20. This antenna was used only on the 23 cm band. The result was to make 104 contacts including several QSO's over 800 km. Compared to the previously used feed (shown in Fig. 5), we documented a substantial improvement, breaking the club's record in this contest.



Fig. 19 Jozef – OM6AM holding the feed housed in a stainless steel enclosure



Fig.20 Fero –OM6AR mounting the feed onto the dish reflector

The second test was performed by members of radio club OK2KYC during the I. Subregional contest in 2008. The feed was placed at the focus of a 1.4 m diameter dish with an f/D ratio of 0.5. See Fig's 21 and 22. Very good results on both the 23 and 13 cm bands were also attained with the OK2KYC club's history records being overwritten in this contest.



Fig.21 OK2KYC's antenna setup



Fig.22 Feed mount detail

Summary and conclusions

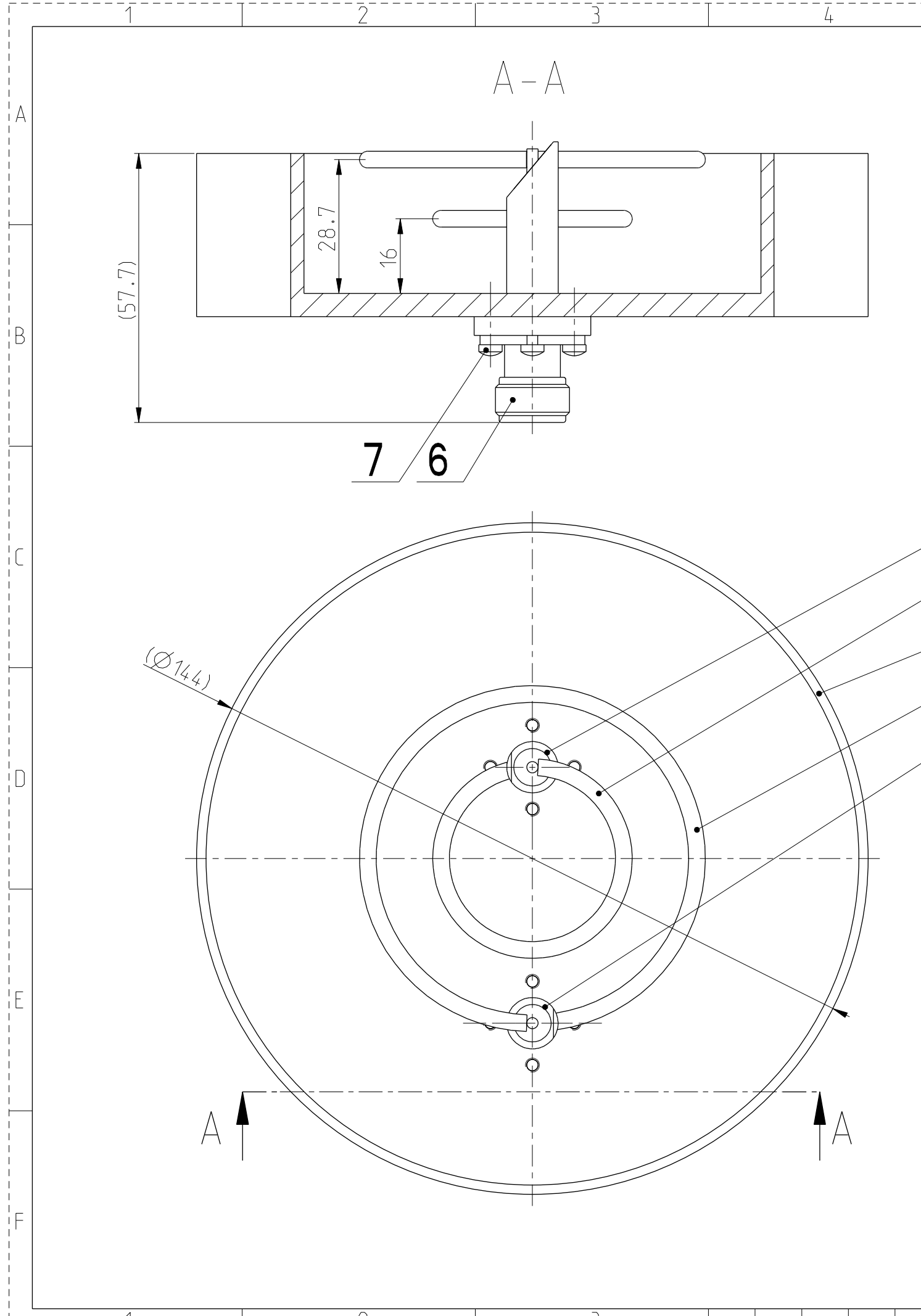
The Loop Feed represents a simple, highly efficient, easy-to-make feed variant for prime-focus-based dish antennas. A Loop Feed is easily adapted to various f/D dish ratios by changing the loop reflector's size and the feed dimensions may be scaled by frequency to adapt it to 70 cm or higher bands. Adding a second loop enables multi-band capability. The mechanical configuration is very rugged, compact and easily allows protection of the loop wires by using a dielectric cover over the feed's aperture. Our Loop Feed can handle very high power, limited only by its "N" style connectors. Since isolation between loops is relatively low, a high-power switching relay with good isolation must be used to protect the receiver in high-power, multi-band applications.

Acknowledgements

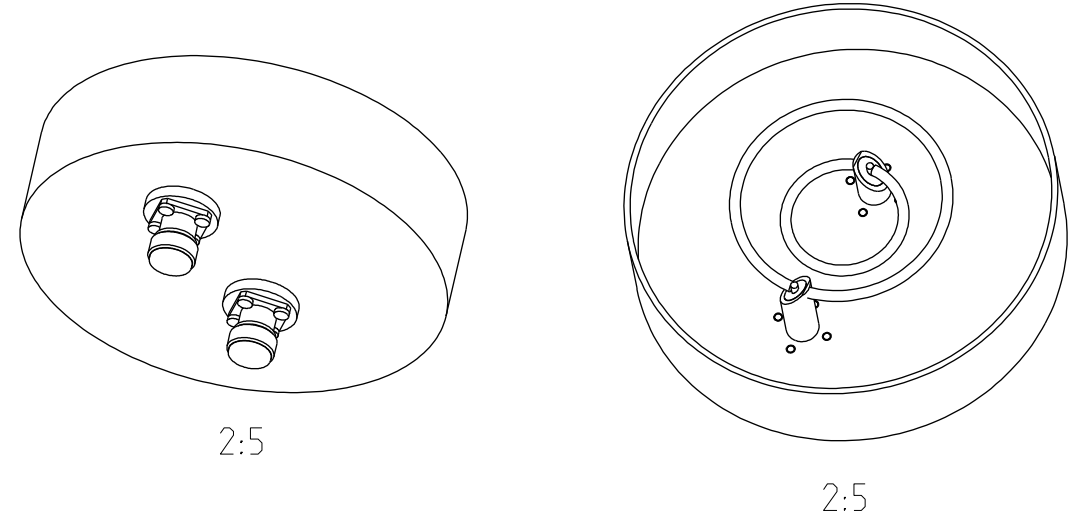
The authors wish to acknowledge the help of Vitezslav Krcmar and Peter Kasperek – OK2ULQ for performing feed measurements, Vladimir Petrzilka – OK1VPZ, for fabricating mechanical parts and Robert Valenta for his technical and language assistance.

References

- [1] Cupido, Luis - CT1DMK; "70cm Deep Dish Feed" DUBUS, 2/2002
- [2] Koellner, Guenter - DL4MEA; "Parabolic Dish Ring Feed"
<http://www.qsl.net/dl4mea/ringfeed.htm>
- [3] Wade, Paul - W1GHZ; "Multiple Reflector Dish Antennas"
http://www.w1ghz.org/antbook/conf/Multiple_reflector_antennas.pdf
- [4] Ishimaru, Akira; "Electromagnetic Wave Propagation Radiation and Scattering" Prentice Hall, New Jersey, 1991. ISBN 0-13-249053-6
- [5] Keller J. B.; "Geometrical theory of diffraction," J. Opt. Soc. Of America 52, 116-130 (1962)
- [6] Galuscak, Rastislav - OM6AA; "Septum Feed Revisited" DUBUS 4/2004
- [7] Computer Simulation Technology web site: www.cst.de
- [8] FEKO_EM systems-Software & SS.A. (Pty) Ltd, website: www.feko.info
- [9] ERA Pardubice, website: www.era.cz

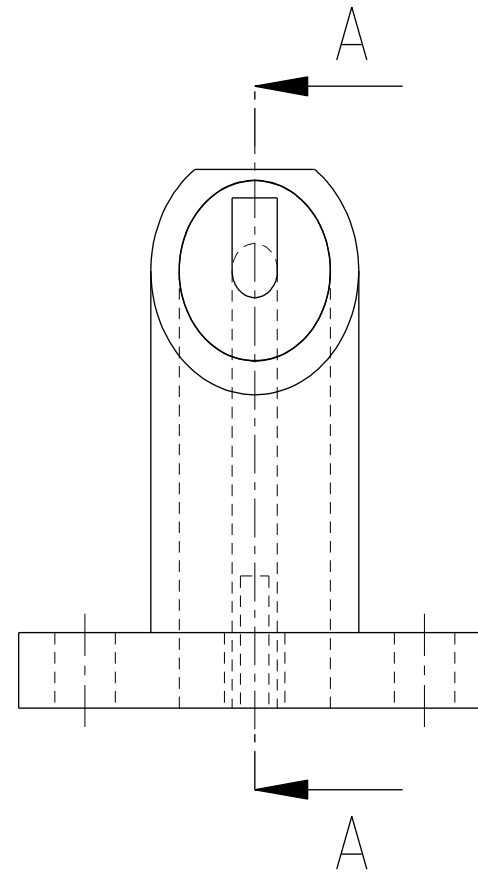
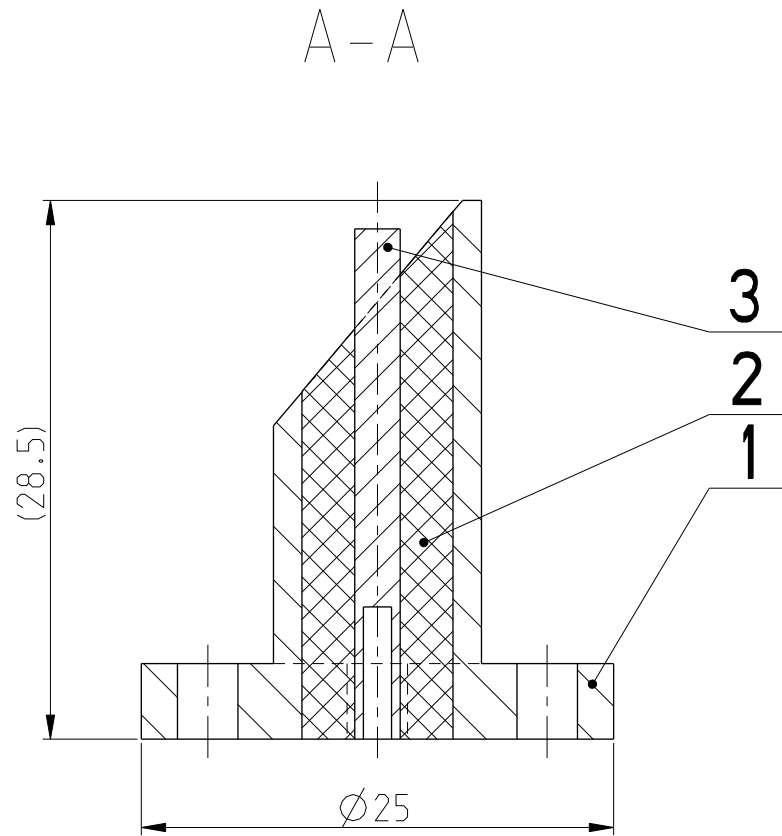


Pos.:	Drawing Title:	Drawing Title:	Material:	Semiproduct:	Standard:	Qty.:	Weight (kg)	Note:
1	0710-100-A901	COAXIAL ADAPTER KOAXIAL ADAPTER				1	0.03	
2	0710-100-A902	COAXIAL ADAPTER KOAXIAL ADAPTER				1	0.04	
3	0710-100-D001	REFLECTOR REFLEKTOR	DURAL	Ø140x35		1	0.84	
4	0710-100-D005	LOOP LOOP	UT 141C	SEMERIGID		1	0.02	
5	0710-100-D009	LOOP LOOP	UT 141C	SEMERIGID		1	0.01	
6		N-CONNECTOR N-KONNEKTOR		N-STYLE CONNECTOR 1/2" FLANGE		2	0.02	
7		SCREW SCHRAUBE	St.st.	M3X12	DIN 7985-H	8	0.00	



C	.	:						
B	.	:						
A	.	:						
Index:	Date:	Change:	Changed by:					
Project:			Job number:	Tolerances:		Semiproduct:		
						Standard:		
			Name:	Date:	Scale:	Material:		
			Drawn:	31-10-07	1:1	Drawing Title: DUAL BAND LOOP FEED		
			Checked:		Format:	Drawing Number:		
			Technol.:		A3	0710-100-A900		
www.designpremysel.com			Model:	0710-100-A900	Weight:	0.99 kg		Sheet:
Tento vykres je vlastnictvom firmy DPP a nesmie byt kopirovany a predavany tretim osobam.			This drawing is the property of company DPP and must not be copied and handed to the third persons.			1 of 1		

Pos.:	Drawing Title:	Drawing Title:	Material:	Semiproduct:	Standard:	Qty.:	Weight [kg]	Note:
1	0710-100-D006	HOLDER HALTER	BRASS	Ø25x29		1	0.02	
2	0710-100-D007	TEFLON TUBE TEFLON ROHR	TEFLON	Ø10x55		1	0.01	
3	0710-100-D008	INNER CONDUCTOR INNENFUHRUNG	BRASS	Ø3x27		1	0.00	



C	.	:		.
B	.	:		.
A	.	:		.

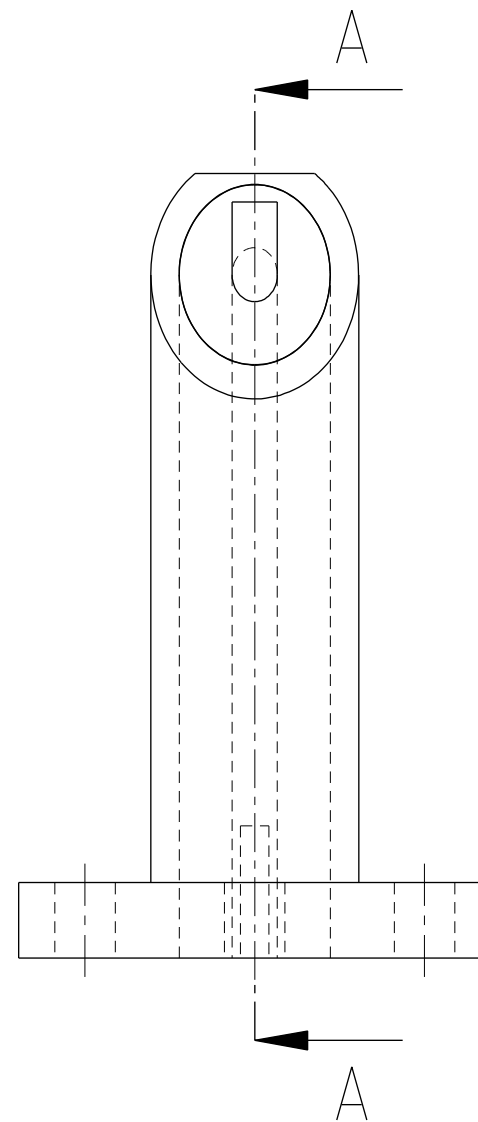
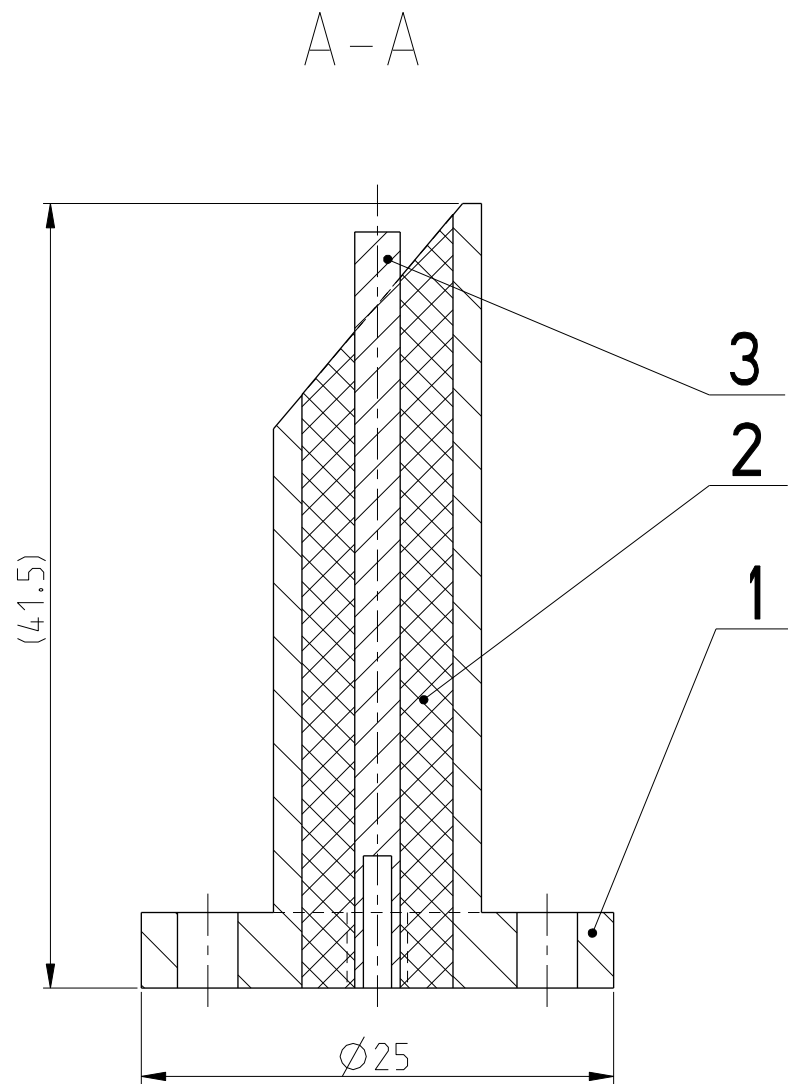
Index:	Date:	Change:	Changed by:
--------	-------	---------	-------------

Project:	Job number:	Tolerances:		Semiproduct:
				Standard:

DESIGN PRE PRIEMYSEL	Name:	Date:	Scale:	Drawing Title: COAXIAL ADAPTER KOAXIAL ADAPTER
	Drawn:	31-10-07	5:2	
	Checked:		Format:	Drawing Number: 0710-100-A901
	Technol.:		A3	
Model	0710-100-A901	Weight:	0.03 kg	

Tento výkres je vlastnictvím firmy DPP a nesmie byť kopirovaný a predávaný tretím osobám. This drawing is the property of company DPP and must not be copied and handed to the third persons. Sheet: 1 of 1

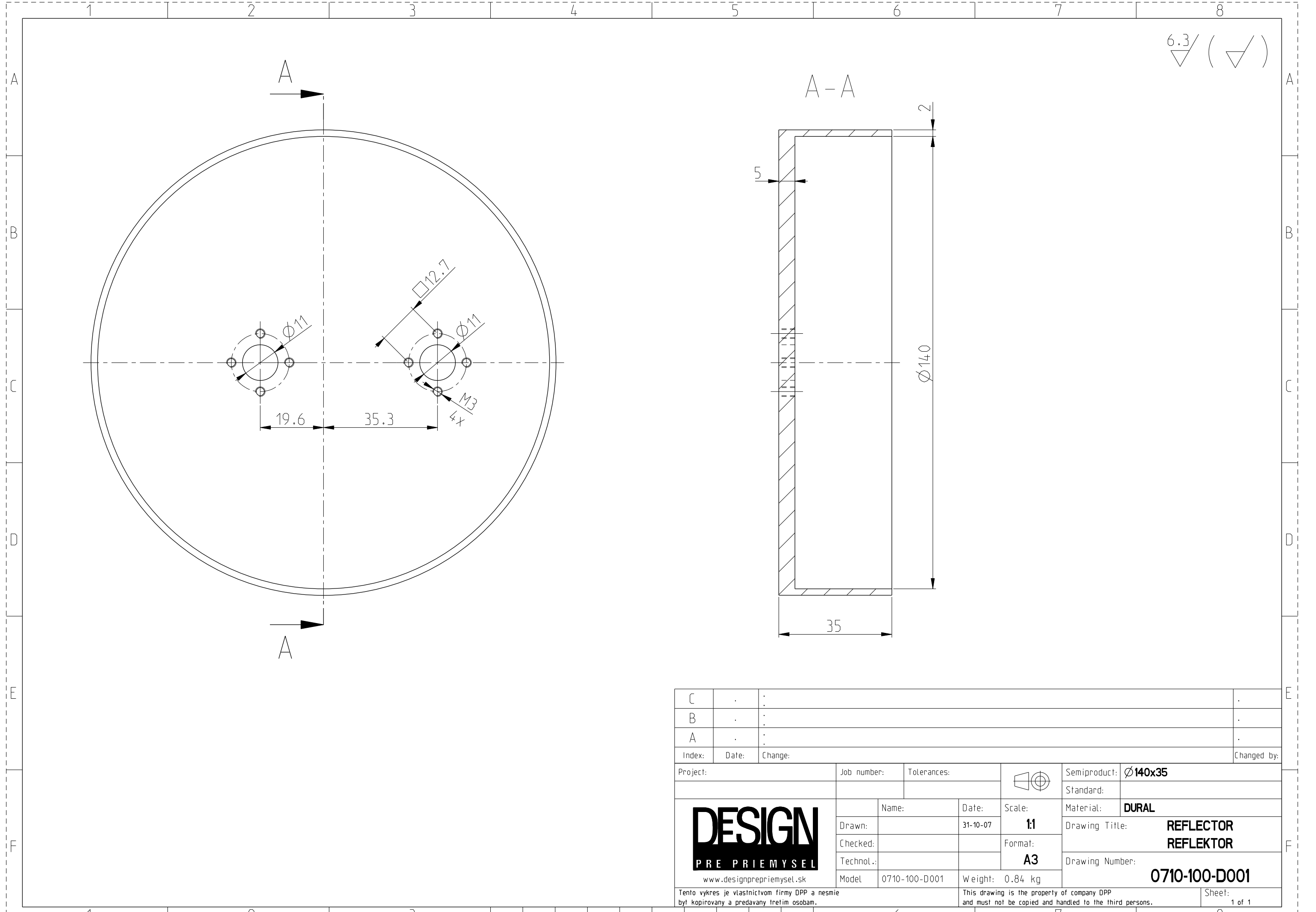
Pos.:	Drawing Title:	Drawing Title:	Material:	Semiproduct:	Standard:	Qty.:	Weight [kg]	Note:
1	0710-100-D002	HOLDER HALTER	BRASS	Ø25x42		1	0.02	
2	0710-100-D003	TEFLON TUBE TEFLON ROHR	TEFLON	Ø10x55		1	0.01	
3	0710-100-D004	INNER CONDUCTOR INNENFUHRUNG	BRASS	Ø3x40		1	0.00	




C	.	:		.
B	.	:		.
A	.	:		.
Index:	Date:	Change:		Changed by:

Project:	Job number:	Tolerances:		Semiproduct:
				Standard:
DESIGN PRE PRIEMYSEL	Name:	Date:	Scale:	Material:
	Drawn:	31-10-07	5:2	Drawing Title: COAXIAL ADAPTER KOAXIAL ADAPTER
	Checked:		Format:	Drawing Number: 0710-100-A902
	Technol.:		A3	
Model: 0710-100-A902		Weight: 0.04 kg		
Tento vykres je vlastnictvom firmy DPP a nesmie byt kopirovany a predavany tretim osobam.				This drawing is the property of company DPP and must not be copied and handed to the third persons.
				Sheet: 1 of 1

www.designpremysel.com



6.3/ (✓)

C	.	:							
B	.	:							
A	.	:							
Index:	Date:	Change:							Changed by:
Project:		Job number:		Tolerances:		Semiproduct: $\varnothing 140 \times 35$			
						Standard:			
 www.designprepriemysel.sk		Name:		Date:	Scale:	Material: DURAL		Drawing Title: REFLECTOR REFLEKTOR	
		Drawn:		31-10-07	1:1	Drawing Number: 0710-100-D001			
		Checked:			Format:				
		Technol.:			A3				
Model		0710-100-D001		Weight: 0.84 kg					
Tento vykres je vlastníctvom firmy DPP a nesmie byť kopirovaný a predávaný tretím osobám.						This drawing is the property of company DPP and must not be copied and handed to the third persons.			Sheet: 1 of 1

1

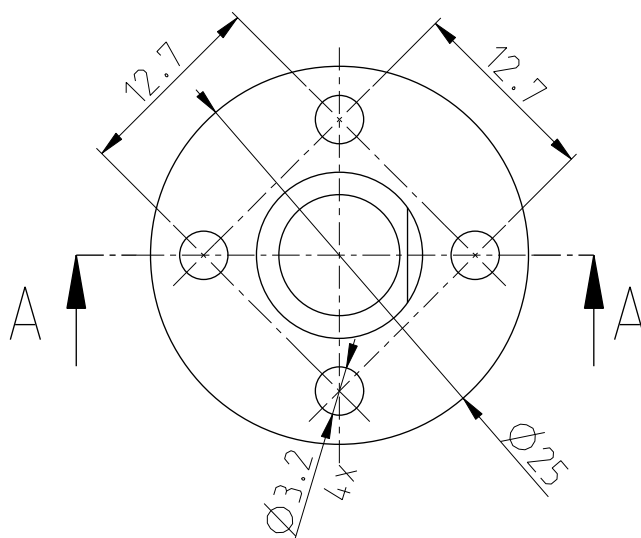
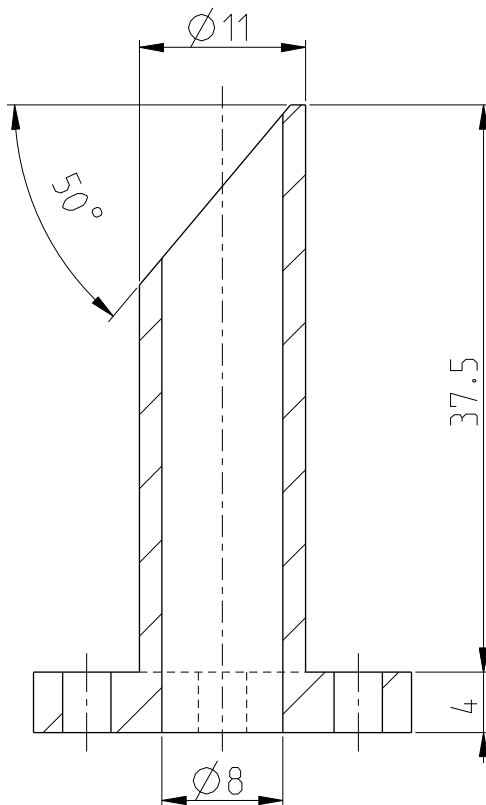
2

3


4

6.3/ ()

A - A



SILVER PLATED

C	.	:								
B	.	:								
A	.	:								
Index:	Date:	Change:								Changed by:
Project:			Job number:		Tolerances:		Semiproduct: Ø25x42			
 www.designprepriemysel.sk			Name:		Date:	Scale:	Standard:			
			Drawn:		31-10-07	2:1	Material: BRASS			
			Checked:			Format:	Drawing Title: HOLDER HALTER			
			Technol.:			A4	Drawing Number: 0710-100-D002			
			Model	0710-100-D002	Weight: 0.02 kg					
Tento vykres je vlastníctvom firmy DPP a nesmie byť kopirovaný a predávaný tretím osobám.							This drawing is the property of company DPP and must not be copied and handed to the third persons.			Sheet: 1 of 1

1

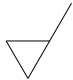
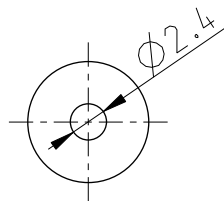
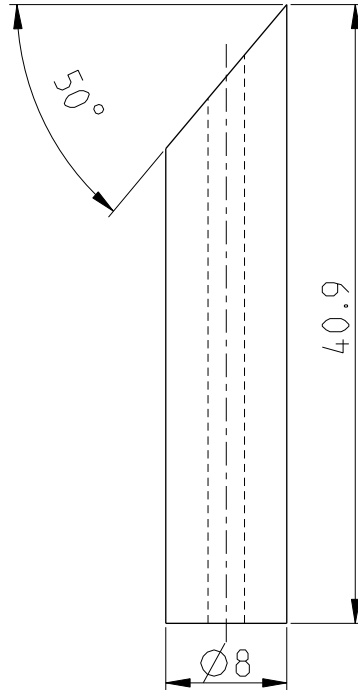
4

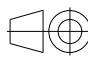

1

2

3

4

6.3 / ()

C	.	:								
B	.	:								
A	.	:								
Index:	Date:	Change:							Changed by:	
Project:		Job number:		Tolerances:				Semiproduct: $\varnothing 10 \times 55$		
								Standard:		
 www.designprepriemysel.sk		Name:		Date:		Scale:		Material: TEFLON		
		Drawn:		31-10-07		2:1		Drawing Title: TEFLON TUBE		
		Checked:				Format:		TEFLON ROHR		
		Technol.:				A4		Drawing Number:		
Model		0710-100-D003		Weight:		0.01 kg		0710-100-D003		
Tento vykres je vlastníctvom firmy DPP a nesmie byť kopírovaný a predávaný tretím osobám.						This drawing is the property of company DPP and must not be copied and handed to the third persons.			Sheet: 1 of 1	

1

4

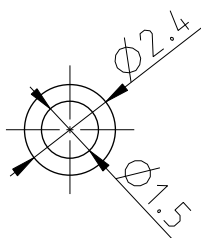
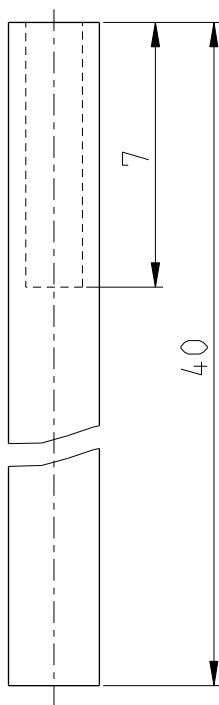
1

2

3

4

6.3/ ()



SILVER PLATED

C	.	:	.
B	.	:	.
A	.	:	.
Index:	Date:	Change:	Changed by:

Project:	Job number:	Tolerances:		Semiproduct: $\varnothing 3 \times 40$
 www.designprepriemysel.sk	Name:	Date:	Scale:	Standard:
	Drawn:	31-10-07	5:1	Material: BRASS
	Checked:		Format:	Drawing Title: INNER CONDUCTOR INNENFUHRUNG
	Technol.:		A4	Drawing Number: 0710-100-D004
Model	0710-100-D004	Weight: 0.00 kg		
Tento vykres je vlastnictvom firmy DPP a nesmie byť kopirovany a predavany tretim osobam.			This drawing is the property of company DPP and must not be copied and handed to the third persons.	
			Sheet:	1 of 1

1

4

1 2 3 4

A

A

B

B

C

C

D

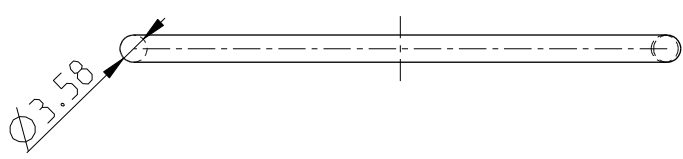
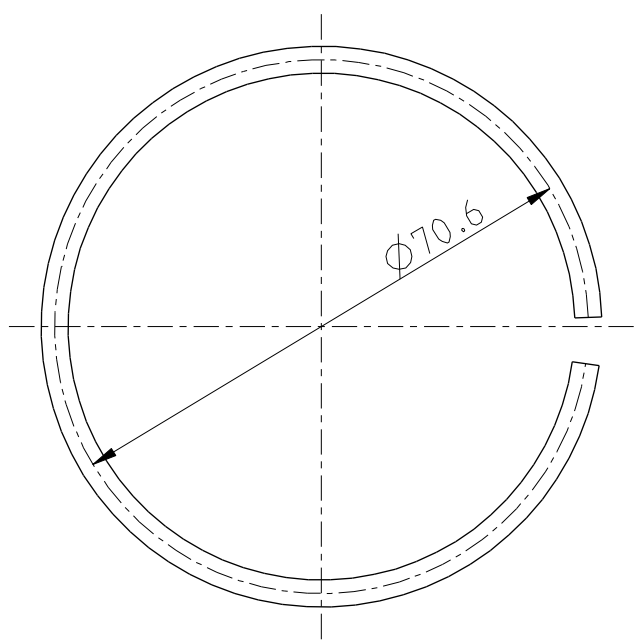
D

E


E

F

F



C	.	:		.
B	.	:		.
A	.	:		.
Index:	Date:	Change:		Changed by:

Project:		Job number:		Tolerances:		Semiproduct: SEMIRIGID CABLE	
 www.designprepriemysel.sk		Name:		Date:		Standard:	
		Drawn:		31-10-07		Material: UT 141C	
		Checked:				Drawing Title: LOOP LOOP	
		Technol.:				Drawing Number: 0710-100-D005	
Model		0710-100-D005		Weight: 0.02 kg			

Tento vykres je vlastníctvom firmy DPP a nesmie byť kopirovaný a predávaný tretím osobám. This drawing is the property of company DPP and must not be copied and handled to the third persons. Sheet: 1 of 1

1 4

1

2

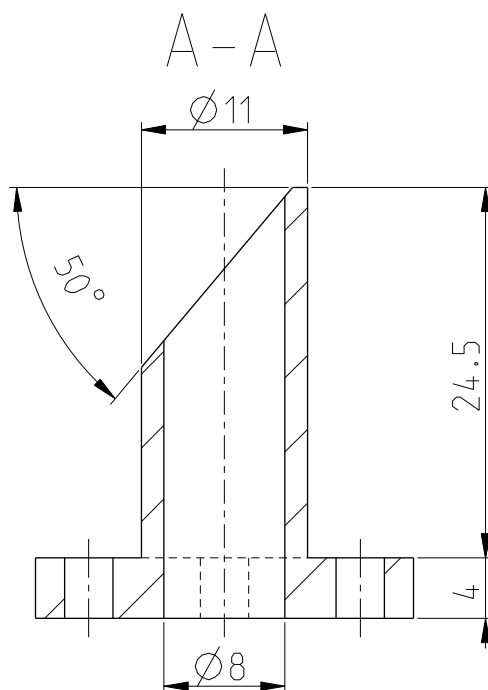
3

4

6.3/ ()

A

A

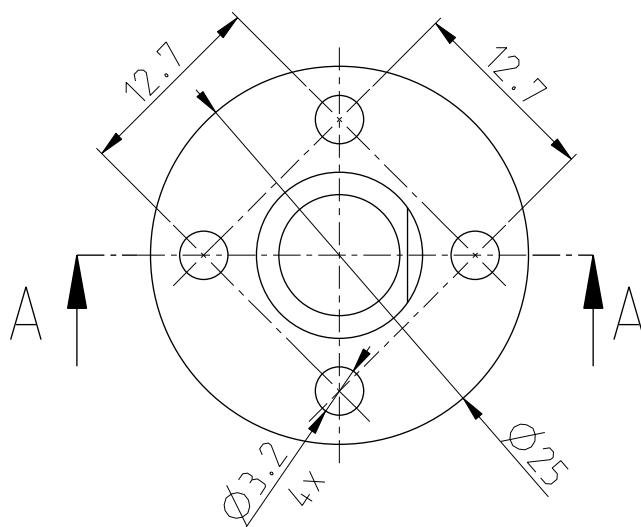


B

B

C

C



D

D

SILVER PLATED

E

E

C	.	:	.
B	.	:	.
A	.	:	.
Index:	Date:	Change:	Changed by:

Project:	Job number:	Tolerances:		Semiproduct: $\varnothing 25 \times 29$
 www.designprepriemysel.sk	Name:	Date:	Scale:	Standard:
	Drawn:	31-10-07	2:1	Material: BRASS
	Checked:		Format:	Drawing Title: HOLDER HALTER
	Technol.:		A4	Drawing Number: 0710-100-D006
	Model: 0710-100-D006	Weight: 0.02 kg		
Tento vykres je vlastníctvom firmy DPP a nesmie byť kopirovaný a predávaný tretím osobám.			This drawing is the property of company DPP and must not be copied and handed to the third persons.	
			Sheet:	1 of 1

F

F

1

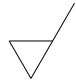
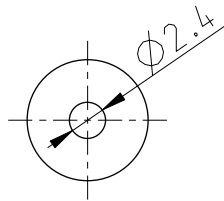
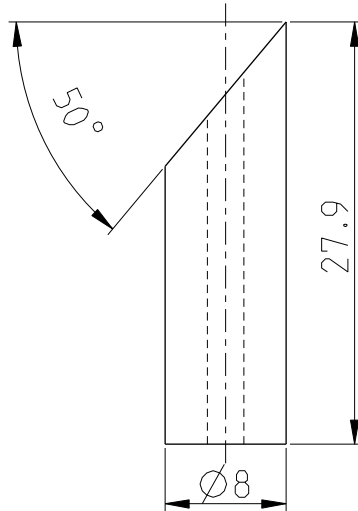
4

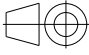

1

2

3

4

6.3/ ()

C	.	:							
B	.	:							
A	.	:							
Index:	Date:	Change:							Changed by:
Project:		Job number:		Tolerances:		 Semiproduct: Ø10x55			
 www.designprepriemysel.sk		Name:		Date:		Scale:		Standard:	
		Drawn:		31-10-07		2:1		Material: TEFLON	
		Checked:				Format:		Drawing Title: TEFLON TUBE	
		Technol.:				A4		TEFLON ROHR	
		Model		0710-100-D007		Weight: 0.01 kg		Drawing Number: 0710-100-D007	
Tento vykres je vlastníctvom firmy DPP a nesmie byť kopírovaný a predávaný tretím osobám.						This drawing is the property of company DPP and must not be copied and handled to the third persons.			Sheet: 1 of 1

1

4

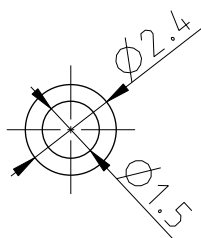
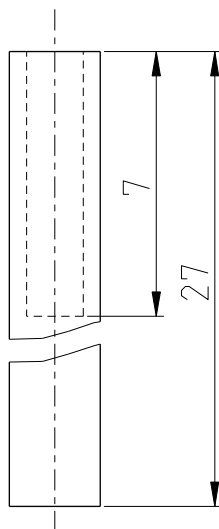
1

2

3

4

6.3/ ()



SILVER PLATED

C	.	:	.
B	.	:	.
A	.	:	.
Index:	Date:	Change:	Changed by:

Project:	Job number:	Tolerances:		Semiproduct: $\varnothing 3 \times 27$
 www.designprepriemysel.sk	Name:	Date:	Scale:	Standard:
	Drawn:	31-10-07	5:1	Material: BRASS
	Checked:		Format:	Drawing Title: INNER CONDUCTOR INNENFUHRUNG
	Technol.:		A4	Drawing Number:
	Model	0710-100-D008	Weight: 0.00 kg	0710-100-D008
Tento vykres je vlastníctvom firmy DPP a nesmie byť kopírovaný a predávaný tretím osobám.			This drawing is the property of company DPP and must not be copied and handled to the third persons.	
			Sheet:	1 of 1

1

4

1

2

3

4

A

A

B

B

C

C

D

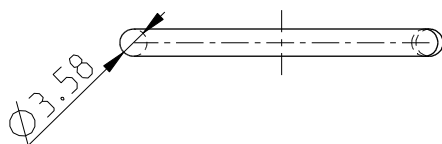
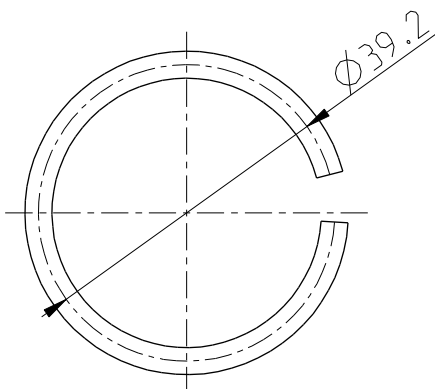
D

E

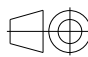

E

F

F



C	.	:		.
B	.	:		.
A	.	:		.
Index:	Date:	Change:		Changed by:

Project:		Job number:		Tolerances:				Semiproduct: SEMIRIGID CABLE	
 www.designprepriemysel.sk		Name:		Date:		Scale:		Material: UT 141C	
		Drawn:		31-10-07		1:1		Drawing Title: LOOP LOOP	
		Checked:				Format:		Drawing Number: 0710-100-D009	
		Technol.:				A4			
Model		0710-100-D009		Weight:		0.01 kg		Sheet: 1 of 1	
Tento vykres je vlastníctvom firmy DPP a nesmie byť kopírovaný a predávaný tretím osobám.						This drawing is the property of company DPP and must not be copied and handed to the third persons.			

1

4